

BS Series

BS1S·BS1D (Small-sized Bar Screen)

Toughness and long life

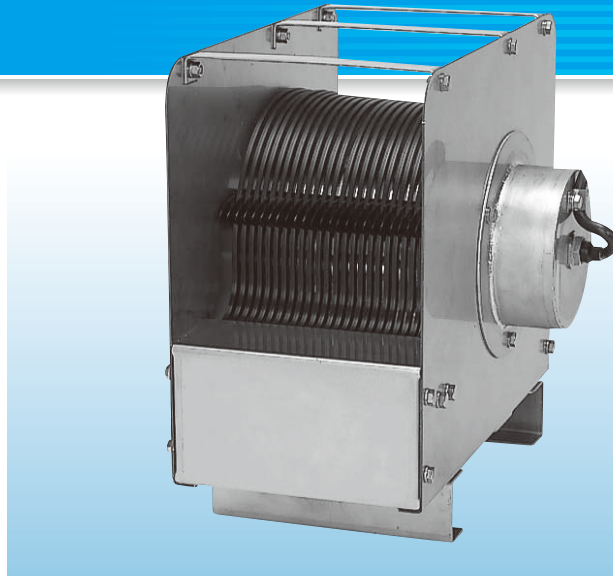
Adoption of a reduction gear built-in motor of outer rotor type and bearings not come into contact with sewage water realize long service life.

Easy maintenance

The reduction gear built-in motor and rake built in one piece facilitates maintenance.

Adoption of a reduction gear with submergence Tolerance

In the event that a reduction gear built-in motor is submerged due to unexpected increase of water, screen can be used continuously provided that such submergence is detected early and appropriate measures are taken.



Applications

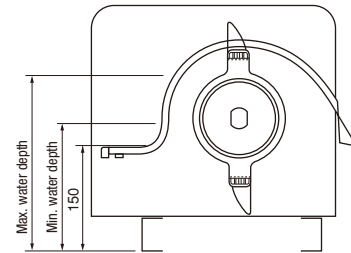
* Septic tanks or small sized water treatment facilities

Examples of Modification

* Changing Cable lengths
* Changing Voltage

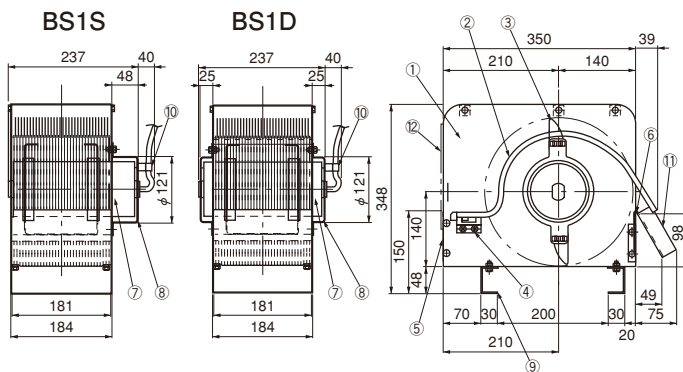
Standard specification

Capacity (Clear water) (m ³ /h)	Silt (mm)	Model
		BS1S·BS1D
	2	23
	2.5	27
Rotation Speed (min ⁻¹)		13/16 (50/60Hz)
Motor		25 W (water-proof type), 3-ph
Weight (kg)		14
Applicable Min. Water Depth (mm)		165
Applicable Max. Water Depth (mm)		230
Standard Accessories		Cable (2 PNCT 0.75mm ² , 4 cores, outer diameter : φ10.5mm) × 3m



Dimensions

Unit: mm



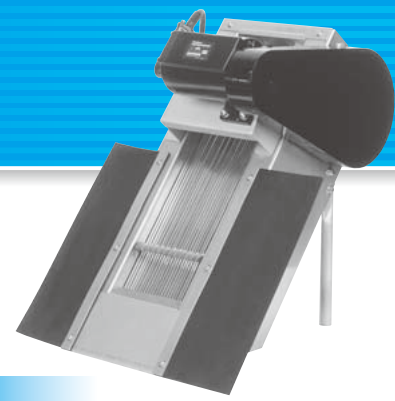
①Chute is optional.

Number	Name	Quantity	Material
1	Frame	2	SUS304
2	Screen Bar	-	PET
3	Rake	2	PC
4	Bar Receipt	1	PP
5	Inflow Cover	1	SUS304
6	Outflow Cover	1	SUS304
7	Geared Motor	1	SUS304
8	Motor Cover	1	SUS304
9	Legs	2	SUS304
10	Cable Band	1	PE
11	Chute	1	PE
12	Inflow Packing	1 set	NBR

* Note **VCT**: Polyvinyl-chloride sheathed cabtyre cable **2PNCT**: Chlorprene sheathed cabtyre cable **SUS**: Stainless steel
PET: Polyethylene terephthalate **PC**: Polycarbonate **PP**: Polypropylene **PE**: Polyethylene **NBR**: Nitril Rubber

BS Series

Automatic bar screen (fine spacing)



Stainless steel body

Main parts such as frame, screen bars, rakes and drive chain are made of stainless steel that has high strength and corrosion resistance.

Inner chain structure

The carriage chain and sprockets are put in side frame. Therefore garbage hardly twines around the chain and sprocket.

Newly developed link type bar support mechanism

This mechanism prevents a slack of screen bar caused by bar's own weight. Also, this mechanism is less frictional and more durable compared with conventional rake type bar support mechanism.

One-way clutch mechanism

Even if the motor reverses due to power supply condition or faulty wiring at site, one-way clutch mechanism cut drive train and protects the raking system.

Water proof motor with reducer

BS series employs a water proof motor enjoying high reputation as before. Even if the screen was submerged due to unexpected freshet, it can be used again if you take early detection and treatment.

Standard specification

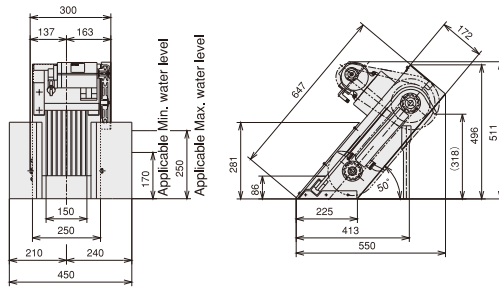
	Slit (mm)	Model							
		BS1H	BS2H	BS3H	BS1N	BS2N	BS3N	BS4N	BS5N
Capacity (m ³ /h)	1	18	25	43	18	25	43	86	99
	2	23	45	65	23	45	65	106	145
	2.5	27	50	75	27	50	75	130	179
	5	38	70	105	38	70	105	182	240
	10	43	75	112	43	75	112	206	251
	20	47	88	130	47	88	130	226	260
	30	50	92	138	50	92	138	240	276
	50	—	—	—	—	—	—	252	290
Rake-up speed (m/min)	1.9/2.3 (50/60Hz)								
Motor	25W, Three-phase (Water-proof type)				0.1kW, Three-phase (Water-proof type)				
Weight (kg)	21~24	28~33	29~37	21~24	28~33	29~37	32~50	43~68	
Applicable Channel Width (mm)	300~400						500~600		
Standard Accessories	Power cable (VCT 1.25mm ² 4 Cores Dia.φ11.5)×6m Trash basket (SUS304) 1 ps V-belt (Spare) 1 ps								

* Special specification: manual type (Available for BS1H,1N,2H,2N only)
Special specification:BS1H~3H,1N~3N bar spacing 50mm
* Treated water capacity is the value measured in clear water.

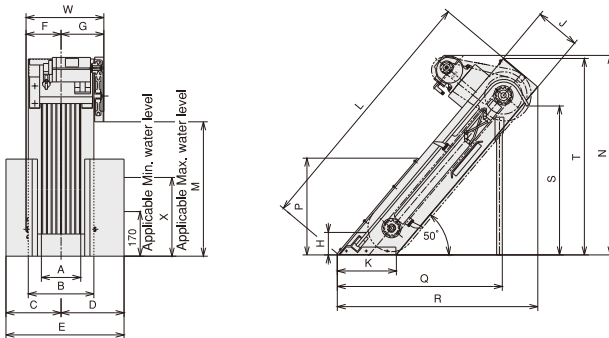
Dimensions

(unit : mm)

BS1N,BS1H

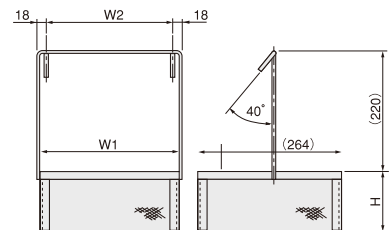


BS2N,BS3N,BS4N,BS5N,BS2H,BS3H



Model	BS2N BS2H	BS3N BS3H	BS4N	BS5N
A	150	150	350	350
B	250	250	450	450
C	210	210	335	335
D	240	240	365	365
E	450	450	700	700
F	137	137	237	237
G	163	163	263	263
H	86	86	86	86
J	172	172	172	172
K	225	225	225	225
L	981	1,140	1,140	1,568
M	512	634	634	961
N	766	894	894	1,216
P	370	570	570	650
Q	629	731	734	1,010
R	765	868	868	1,143
S	573	701	701	1,023
T	751	879	879	1,201
W	300	300	500	500
X	330	510	510	580

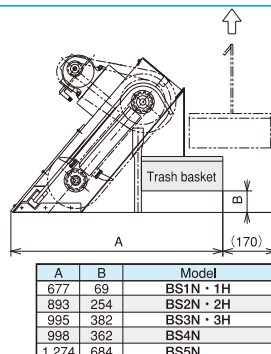
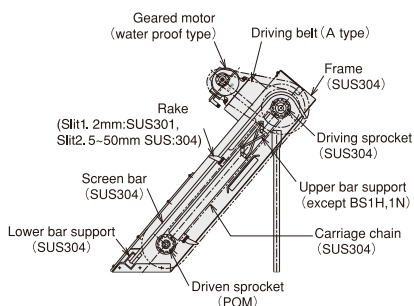
Dimension of trash basket



H	W1	W2	Model
110	254	230	BS1N·BS1H
180	254	230	BS2N·3N·2H·3H
200	454	430	BS4N·5N

Structure and materials

(unit : mm)



Notice

- * In case of the following applications, please contact us in advance. Special specifications may be required.
- For oily solid in a food processing or spherical solid
- For industrial waste water
- Install in outdoor