

WATER SPRINKLER



■ Standard equipment



▲Hose box

▶Level gauge



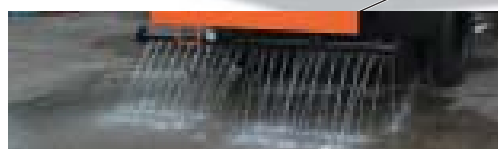
▲Control lever



▲Ladder



▲Pump



▲Spray bar



▲Suction and delivery hose

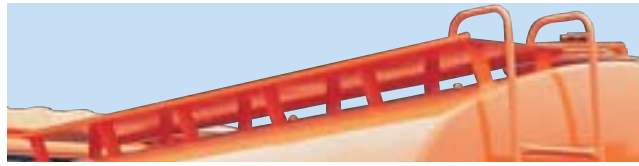
Optional equipment



▲Spray monitor



▲Water tap



▲Walk way

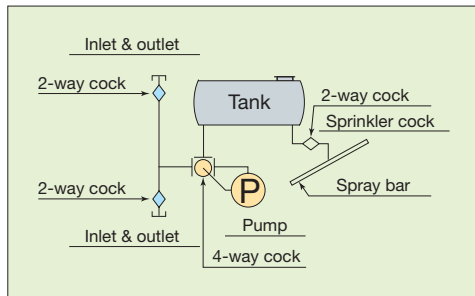


▲Strainer

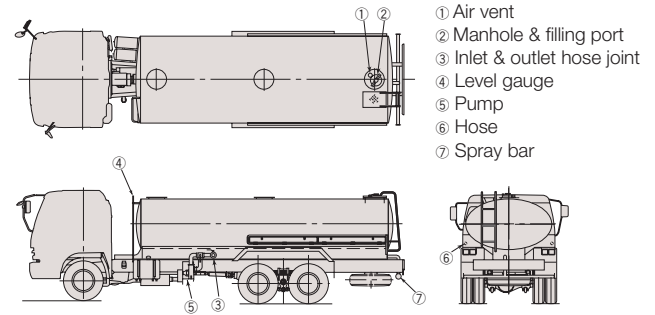


▲Front sprinker

Piping diagram



Structure



Specifications

Model	LG20-4	LG40-4	LG60-4	LG80-4	LG100-4	LG120-4	LG140-4	
Tank capacity	2,000L	4,000L	6,000L	8,000L	10,000L	12,000L	14,000L	
Pump type	Volute							
Pump performance	Capacity				550L/min at 2,450rpm			
	Pressure				0.19MPa(1.9 kgf/cm ²)			
	Total head				19m			
Piping diameter	50mm		63mm			76mm		
Hose	Diameter 50mm□·2,000mm□·2pcs.		Diameter 63mm□·3,000mm□·2pcs.			Diameter 76mm□·3,000mm□·2pcs.		
Manhole	Diameter 400mm (Filling port diameter 235mm)							
Plate thickness	Shell plate		3.2mm			3.2/4.5mm		
	End plate		3.2mm					
	Baffle plate		3.2mm					
GVW(kg)	5,000□·6,000	8,500□·9,000	13,500□·15,000	14,500□·16,000	20,000□·26,000	24,000□·26,000	26,000□·29,000	
Recommendable wheelbase(mm)	2,500□·3,000	3,200□·3,600	3,700□·4,300	4,200□·5,000	3,800□·4,500	5,000□·5,500		

The above mentioned figures are approximate.

* Optional equipment are included in these photographs.
 * Specifications and dimensions are subject to change without notice.

ShinMaywa Industries, Ltd.

International Sales Dept.
 Special Purpose Truck Div.

3-2-43, Shitte, Tsurumi-ku, Yokohama, 230-0003, Japan
 Telephone : +81-45-575-5163
 Facsimile : +81-45-575-9837
 e-mail : overseas@shinmaywa.co.jp

<http://www.shinmaywa.co.jp>