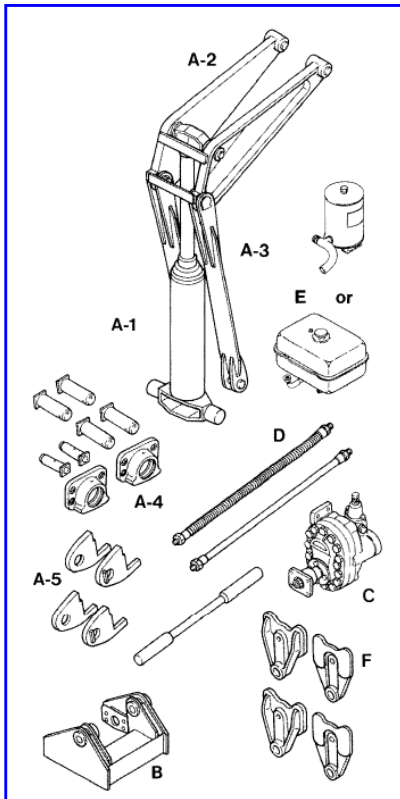
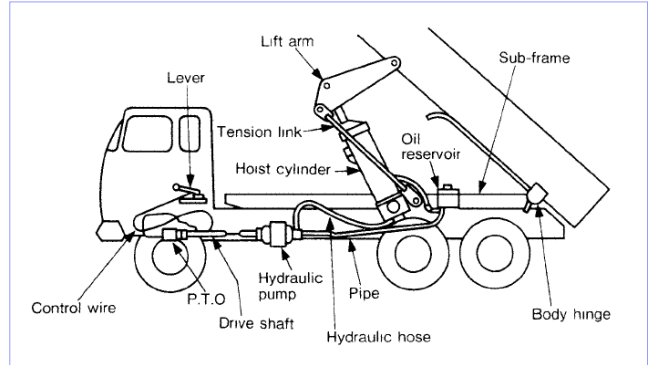
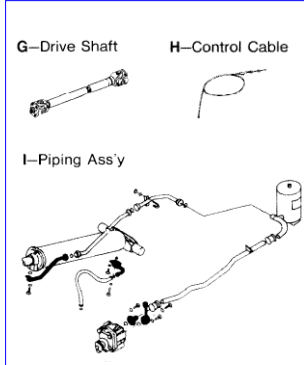


"Tentsuki" Tipping Gear



Product Features

- High efficiency
- High durability
- Light weight
- Easy to assemble and install on truck chassis



Hydraulic-driven Diagram

Standard Parts

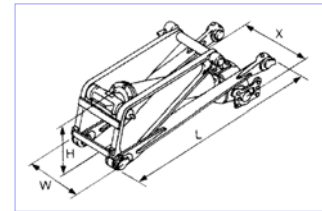
- A-1 : Cylinder Ass'y
- A-2 : Lift Arm
- A-3 : Tentsuki Link
- A-4 : Trunnion Bracket
- A-5 : Body Bracket
- B : Cylinder Support Ass'y
- C : Hydraulic Pump
- D : Hydraulic Hoses
- E : Oil Reservoir
- F : Body Hinge Ass'y

Optional Parts

- G : Drive Shaft
- H : Control Cable
- I : Piping Ass'y

Mechanism, Dimensions and Mass (approx.)

Model	KR-123	KRM-143C	KRM-143C	KRM-164	KRM-163	KRM-174	KRM-172	KRM-185	KRM-201	KRM-204	KRM-203
L (mm)	800	1045	1170	1520	1565			1765		2230	2430
W (mm)	400	415	445		500			590			
H (mm)	310	395	340	450	420			470		510	700
X (mm)	550	380	415					480			
Mass (kg)	85	120	230	260	250	305	350	370	450	450	620



Cylinder and Pump Combination Specifications (approx.)

Model	KR-123	KRM-143C	KRM-164	KRM-163	KRM-174	KRM-172	KRM-185	KRM-201	KRM-204	KRM-203
	(kgf/cm ²)	70	60		70	105	120	105	138	110
Inner Diameter (mm)	120	140	160		175		188		200	
Stroke (mm)	430	510	497	731	755		931		1192	1414
Retracted Cylinder Length (eye to eye) (mm)	638	803	827	1061	1115		1269		1533	1752
Piston Rod Diameter (mm)		50		65		70		80		90
Allowable Pressure (MPa)	15.7		13.7		15.7				20.6	
	(kgf/cm ²)	160	140		160				210	
Model	KPC-221C	KPC-45A	KP-75B	KPA-1307F						
				Standard Revolutions (rpm)	1000					
Discharge Volume (mL/rev.)	22.3	44.6	72		129.9					
Max. Testing Pressure (MPa)	15.7	13.7	19.6		20.6					
	(kgf/cm ²)	160	140	200		210				
Mass (kg)	9	12	21		28					

Mounting and Maximum Lifting Capacity

Model	Recommended Truck G.V.W. (metric ton)	Body Length L (mm)	Rear Overhang R (mm)	Distance between Load Center to Hinge I (mm)	Distance between Trunnion to Hinge T (mm)	Rated Lifting Capacity (metric ton)	Designed Max. Lifting Capacity (metric ton) (including body dead weight)						
							47°	48°	50°	52°	53°	55°	60°
KR-123	4 to 5.5	3100	300	1300	1270	2 to 3							5
KRM-143C	6 to 9	3400	400	1300	1100	4 to 5							8.5
KRM-164	8 to 11	3800	600	1300	1400	4 to 6				11			
KRM-163	11 to 17	4500	750	1500	2050	6 to 8				16			
KRM-174	11 to 17	4500	750	1500	2030	6 to 8						16	
KRM-172	15 to 24	5300	900	1750	2480	9 to 14						25	
KRM-185	21 to 28	5300	900	1750	2480	15 to 17						27	
KRM-201	25 to 32	6000	900	2100	2630	16 to 18				29			
KRM-204	25 to 35	8000	1000	3000	3380	18 to 20			26				
KRM-203	32 to 38	8000	1200	2800	3630	20 to 29	39						

