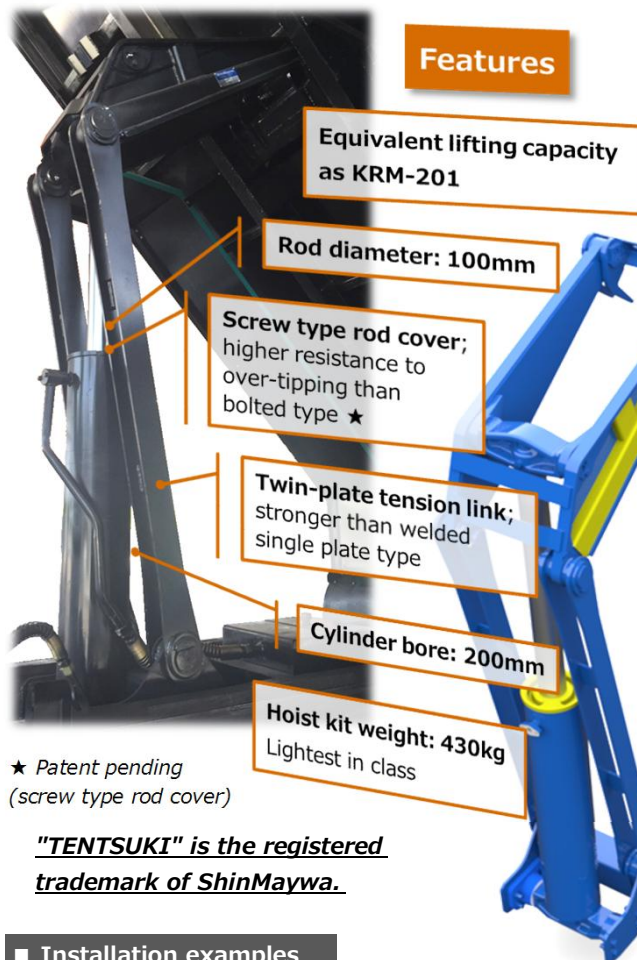


Heavy duty under-body tipping gear for 10-wheel truck and 2 & 3-axle full trailers. Manufactured and assembled in Thailand, under design and quality standards of ShinMaywa Japan.

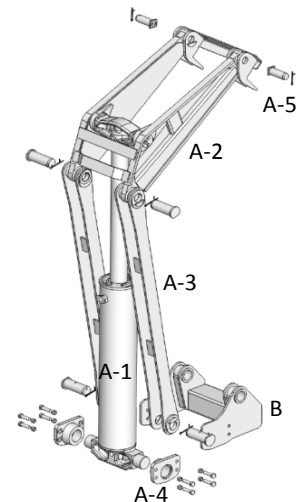


### Standard kit details

- A-1 Cylinder Ass'y
- A-2 Lift Arm
- A-3 Tension Link
- A-4 Trunnion Bracket
- A-5 Body Bracket
- B Support Ass'y

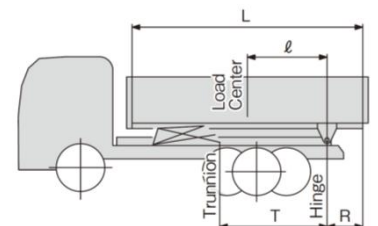
\* High & low pressure port flanges are included.

\*\* Gear pump and other accessories are available upon request.



### Installation examples

Body length ("L", mm)	Hinge overhang ("R", mm)	Load center to hinge ("ℓ", mm)	Tipping angle & Trunnion to hinge ("T", mm) Max. lifting capacity (t)		
			54°/T=2,330	51°/T=2,530	45°/T=2,930
5,700	800	2,050	30.7	32.7	36.7
6,000	880	2,120	29.6	31.6	35.5
6,500	750	2,500	25.1	26.7	30.0
7,000	800	2,700	23.2	24.7	27.8



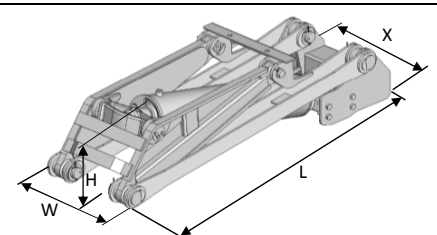
### Hoist specifications

Cylinder bore x stroke	200 x 881 mm (*)
Rod diameter	100 mm
Retracted Cylinder Length	1,269mm (Eye to Eye)
Max. pressure	20.6 MPa (210 kgf/cm <sup>2</sup> )
Mass (Support Ass'y included)	430 kg

(\*) Stroke is 50mm shorter than KRM-201.

### Dimensions

L	1,885 mm
W	586 mm
H	475 mm
X	502 mm
(Support Ass'y included)	



## Thai ShinMaywa Co., Ltd.

A subsidiary of ShinMaywa Industries, Ltd., Japan.

www.shinmaywa.co.jp/thai/

199 Moo 12 Petchkasem 120 Rd., Om-noi  
Samutsakorn 74130 Thailand

TEL: +66-2420-9860 / FAX: +66-2420-9863  
E-mail: sales.tsmc@shinmaywa.co.jp